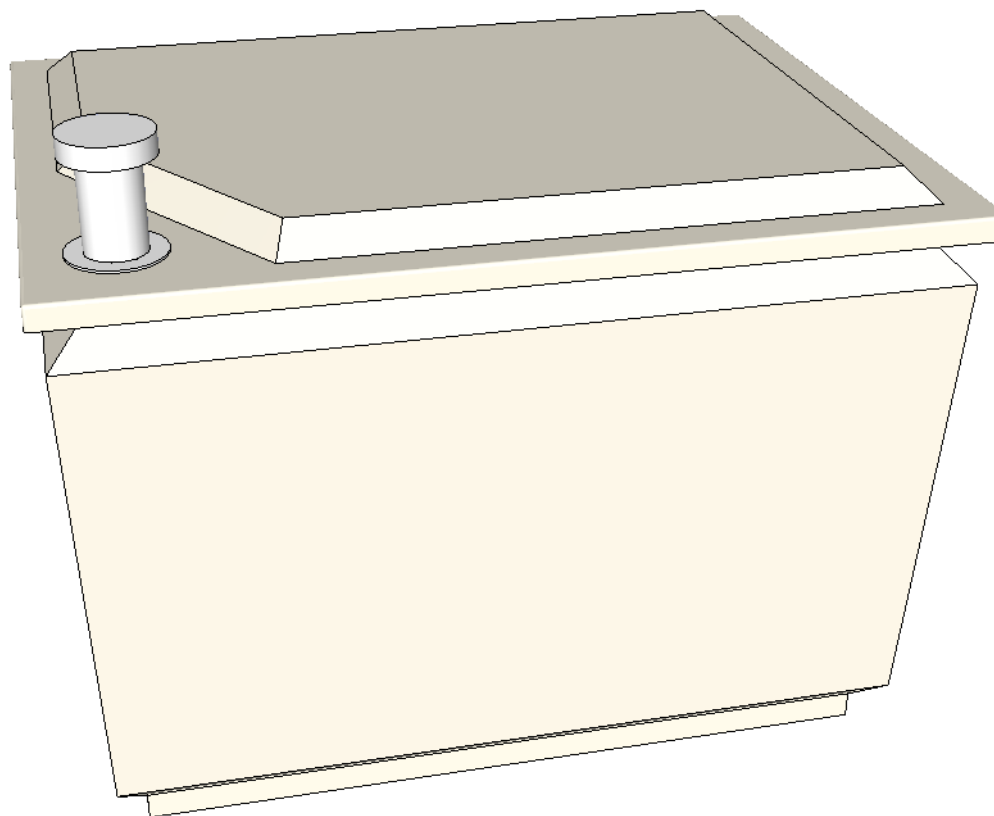


View 1



Notes:

- a) All dimensions are approximate and may change without notice. If dimensions are required for a specific purpose such as sizing framework these can be provided on request.
- b) Insulation 25mm PU foam encapsulated within a GRP outer skin. U-value 0.8 W/m²K
- c) Recesses for connections are factory formed (standard positions shown dotted).
- d) Holing of tank and fitting connections by others unless ordered.
- e) Tank sides may have a small draw angle for moulding purposes

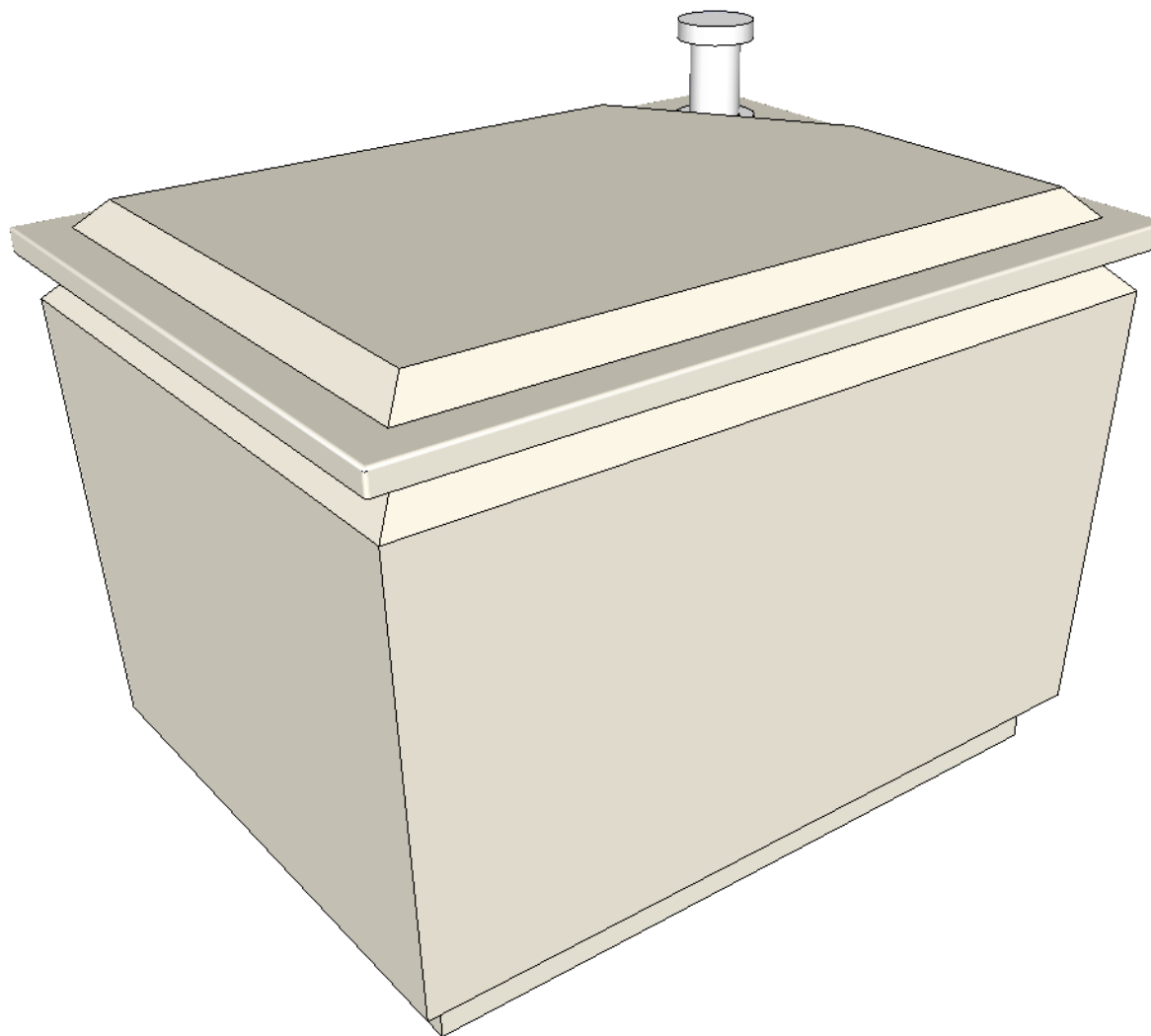
Model: ANP40/1

Capacity (nominal): 180 litre 40 gal

ISSUE
9/9/13

DRAWN BY
SC

View 2



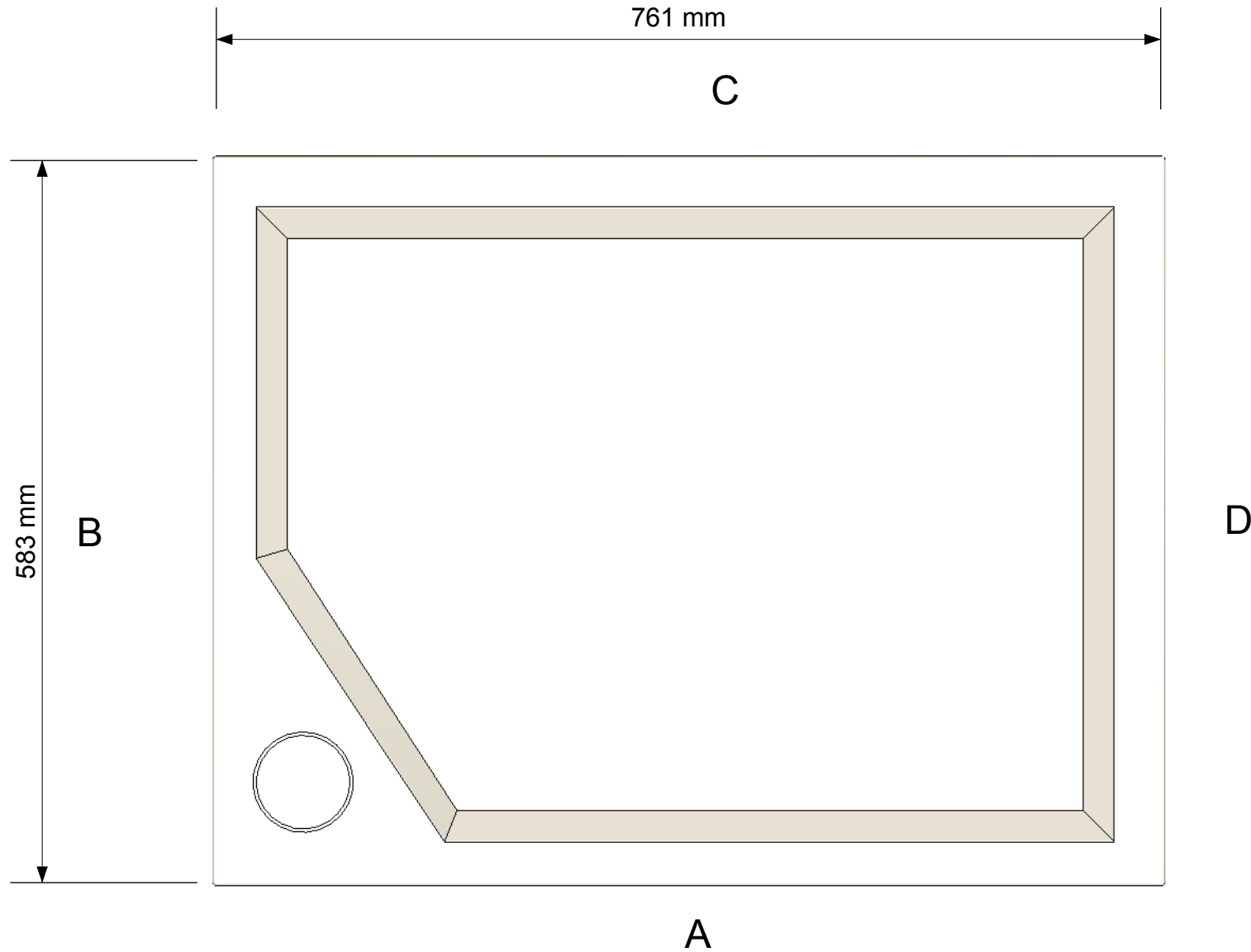
Model: ANP40/1

Capacity (nominal): 180 litre 40 gal

ISSUE
9/9/13

DRAWN BY
SC

Plan



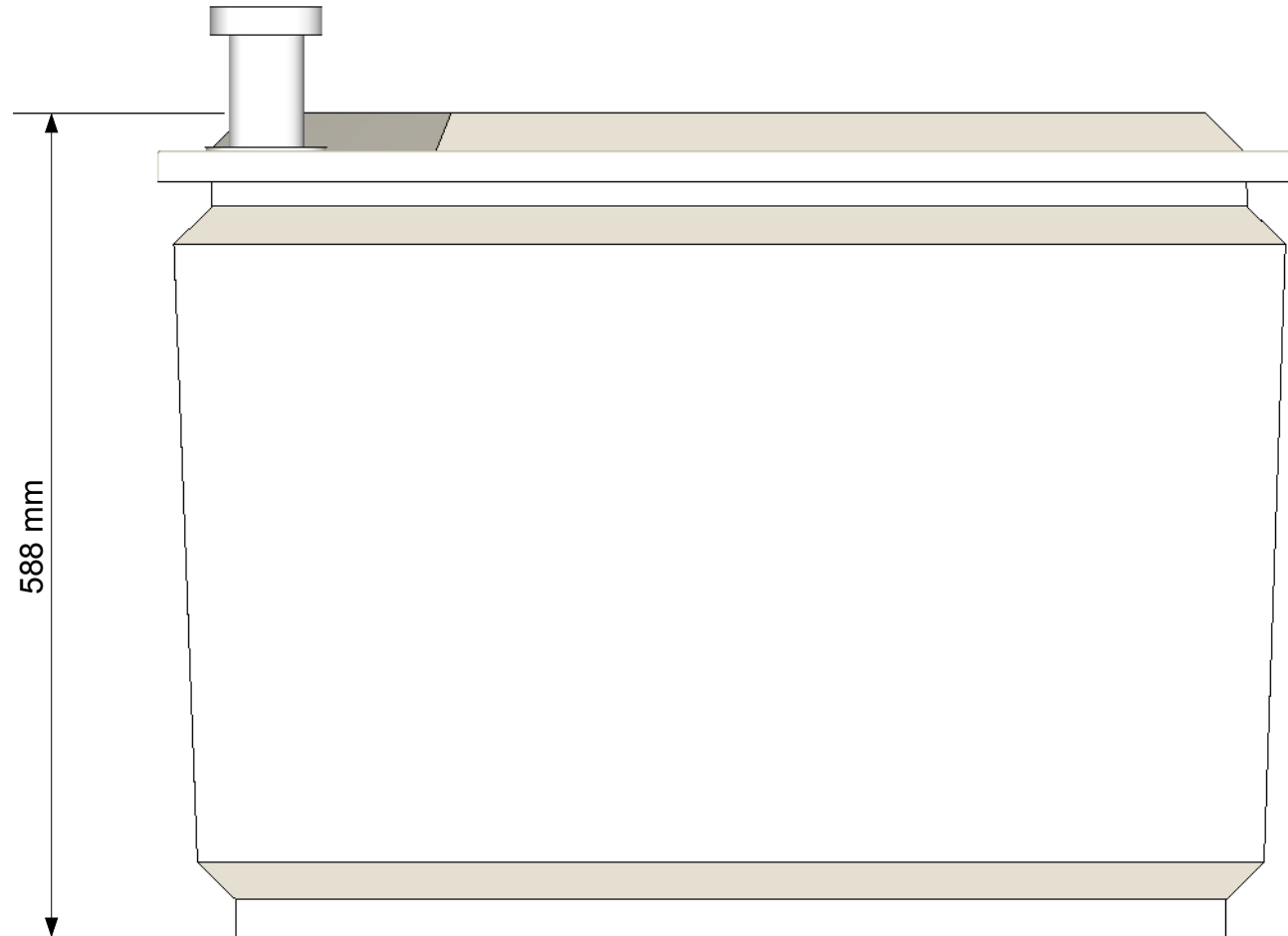
Model: ANP40/1

Capacity (nominal): 180 litre 40 gal

ISSUE
9/9/13

DRAWN BY
SC

Elevation A



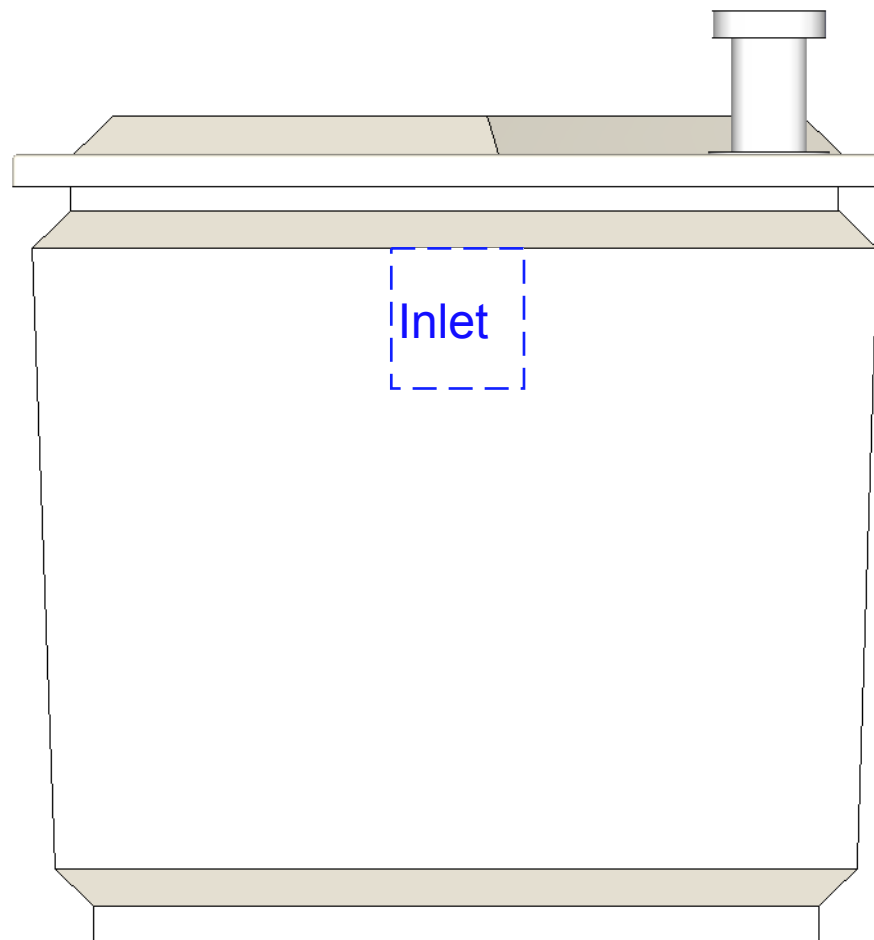
Model: ANP40/1

Capacity (nominal): 180 litre 40 gal

ISSUE
9/9/13

DRAWN BY
SC

Elevation B



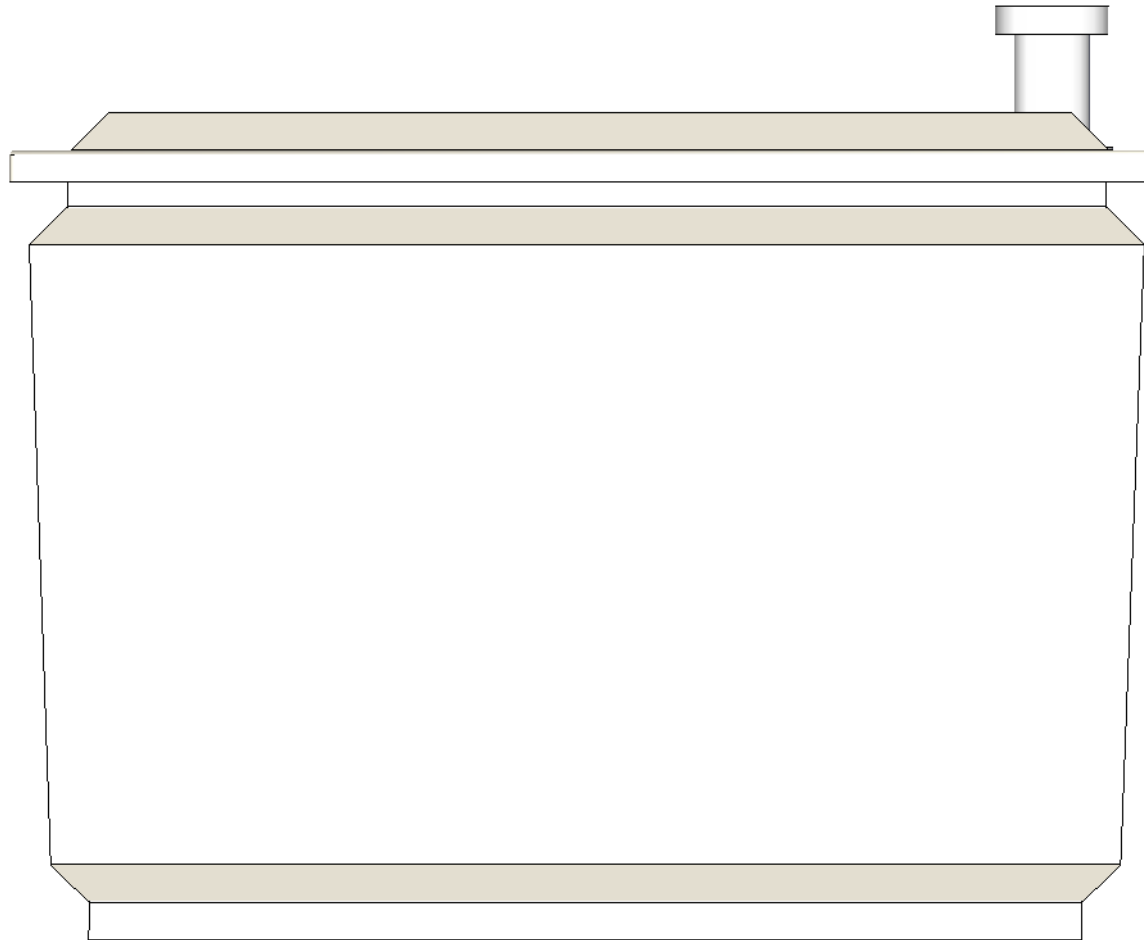
Model: ANP40/1

Capacity (nominal): 180 litre 40 gal

ISSUE
9/9/13

DRAWN BY
SC

Elevation C



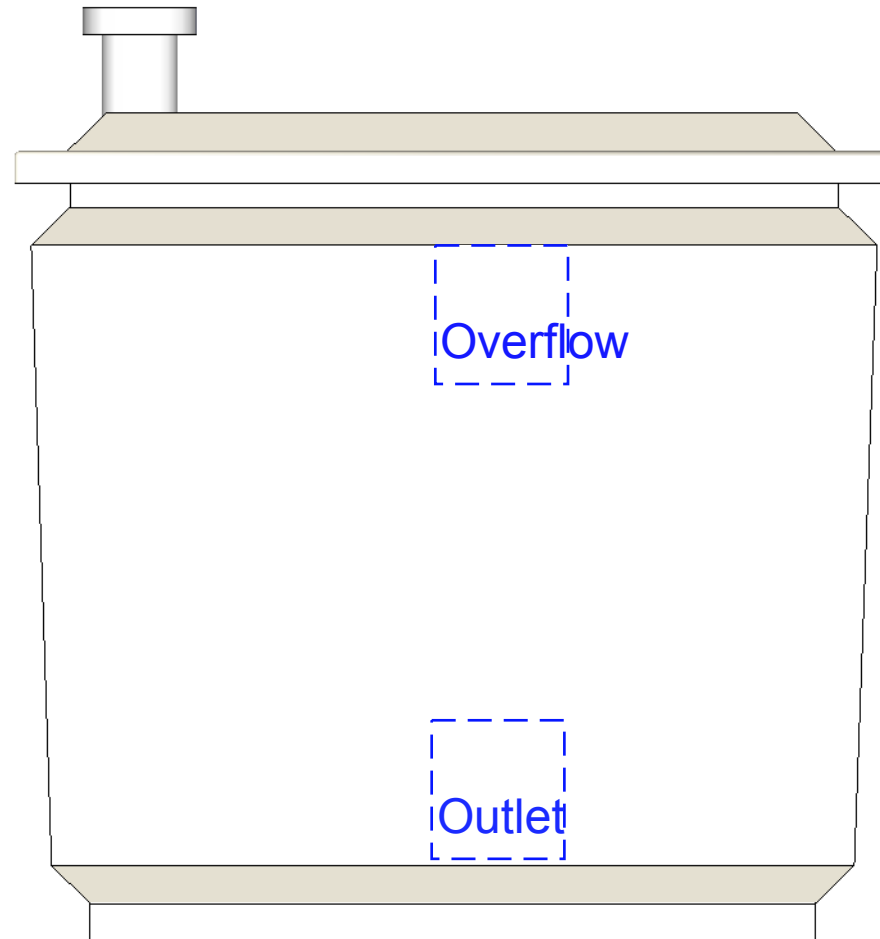
Model: ANP40/1

Capacity (nominal): 180 litre 40 gal

ISSUE
9/9/13

DRAWN BY
SC

Elevation D



Model: ANP40/1

Capacity (nominal): 180 litre 40 gal

ISSUE
9/9/13

DRAWN BY
SC