

Part Number: 825067

Description : 0.5" PVC Stub Flange Assembly PN16

Note : The above is a complete Item

Item is 144mm long, excluding gaskets

Flange is 95mm in diameter

Sub Assemblies :

4 No. M12 x 60 bolts S/S

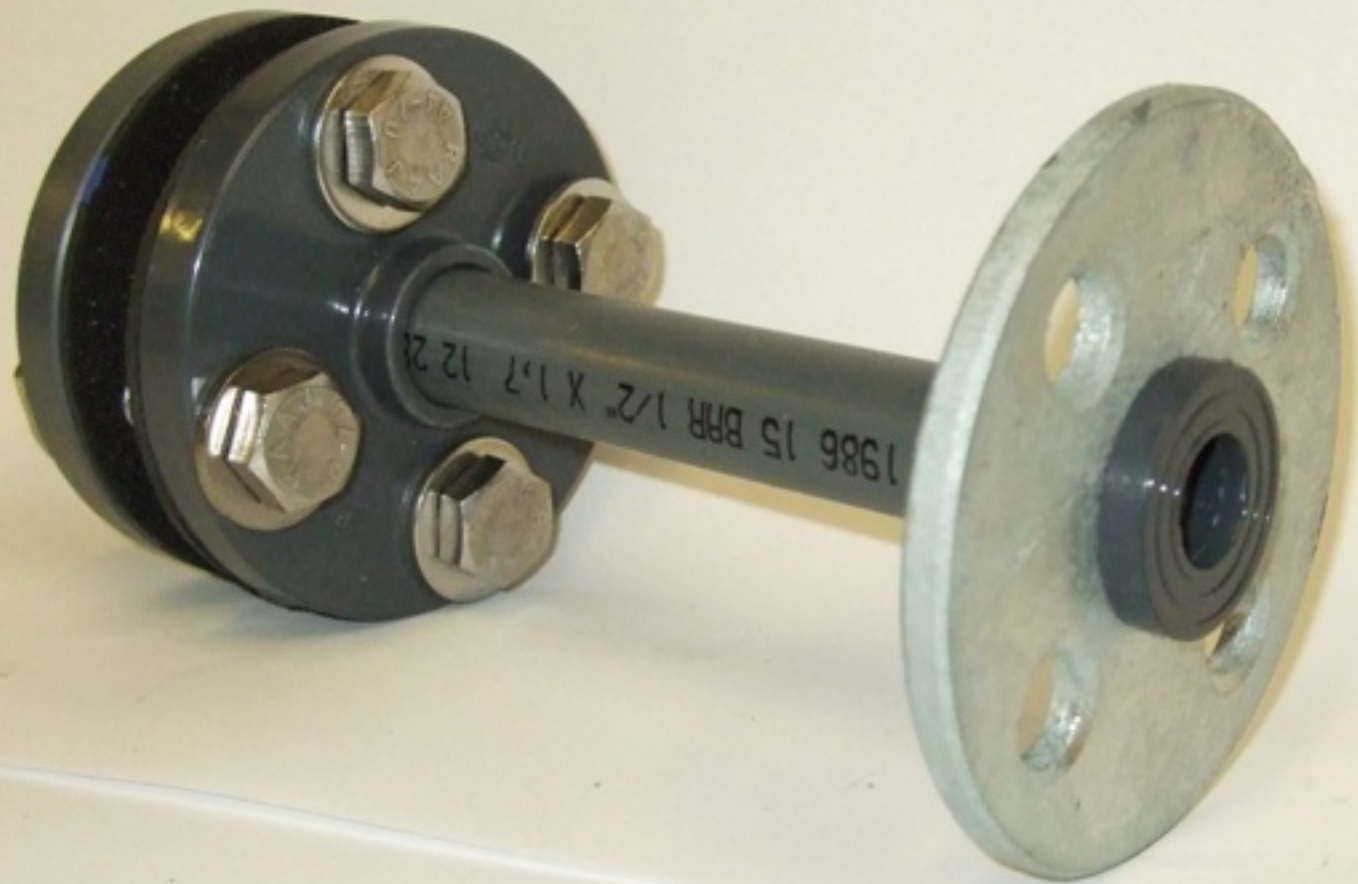
8 No. M12 Flat Washers S/S

4 No. M12 Plain Nut S/S

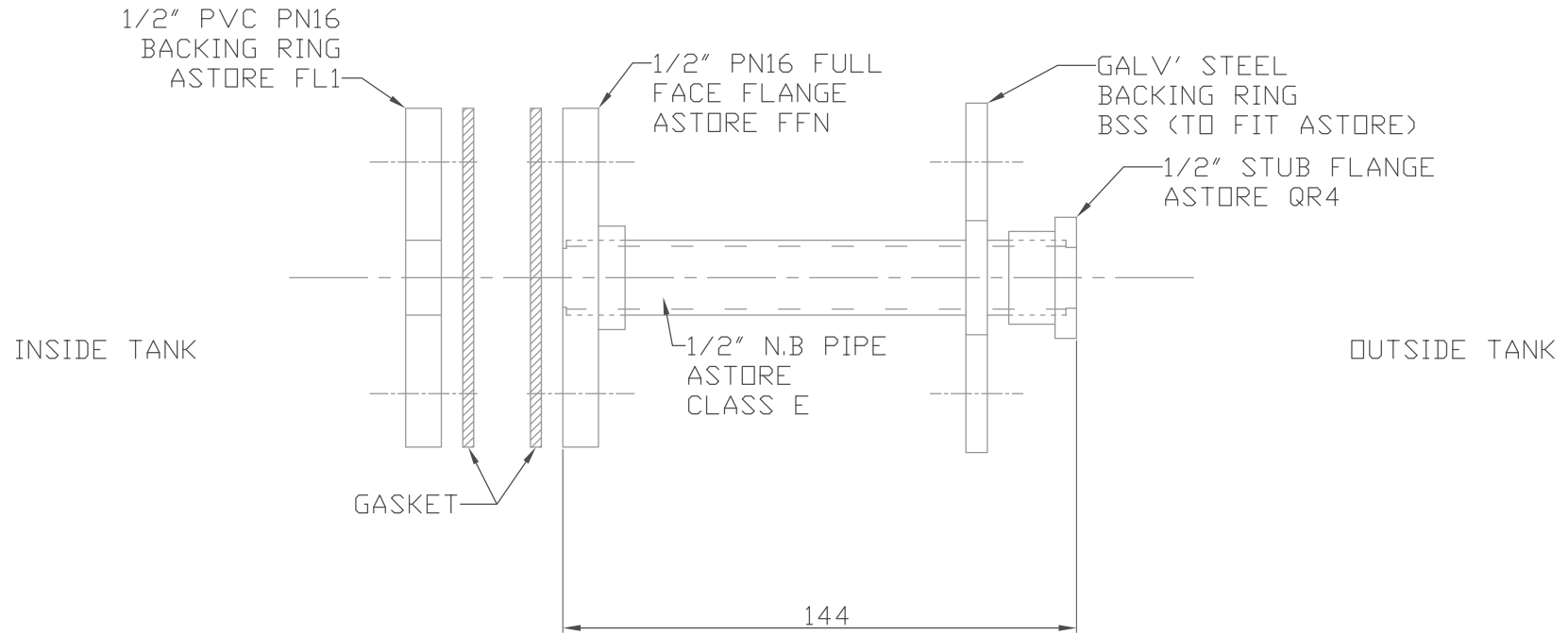
2 No. 0.5" PN16 Gasket

1 No. 0.5" PVC Backing Ring





PRODUCT SPECIFICATION



NOTE
GASKETS BY AVON GROUP
MANUFACTURING BRISTOL

NOTE
LENGTH 144MM
(EXC GASKETS)
FLANGE DIAMETER 95MM

Part Number: 825067		KMG		Title: G/A OF 1/2" (12MM) PVC STUB FLANGE ASSEMBLY	
				Drawn: JPC	App'd:
Scale: 1:2	Material: VARIOUS	Rev:	Tol:	Date: 11/04/2008	Dwg. Number: SFA 12