

**Part Number: 825068**

**Description : 0.75" PVC Stub Flange Assembly PN16**

**Note : The above is a complete Item**

Item is 149mm long, excluding gaskets

Flange is 106mm in diameter

**Sub Assemblies :**

4 No. M12 x 60 bolts S/S

8 No. M12 Flat Washers S/S

4 No. M12 Plain Nut S/S

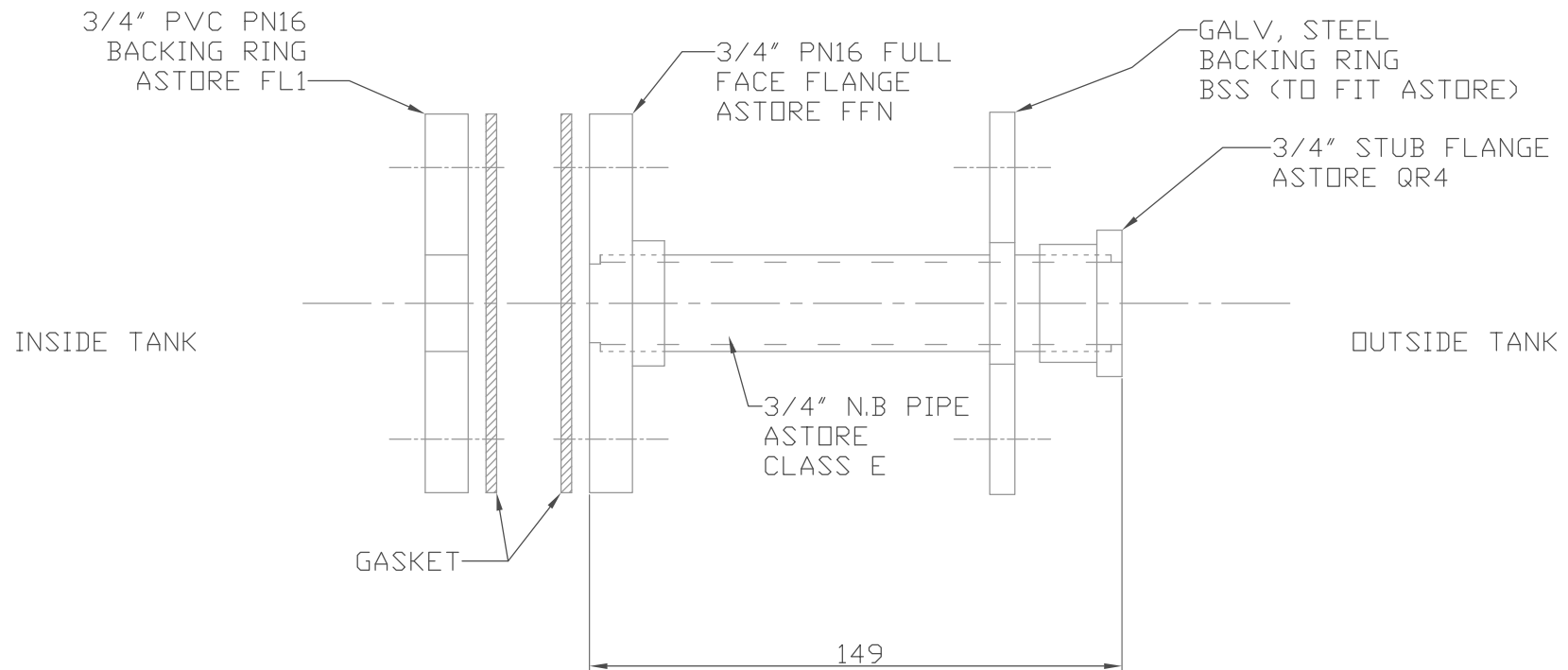
2 No. 0.75" PN16 Gasket

1 No. 0.75" PVC Backing Ring





# PRODUCT SPECIFICATION



NOTE  
GASKETS BY AVON GROUP  
MANUFACTURING BRISTOL

NOTE  
LENGTH 149MM  
(EXC GASKETS)  
FLANGE DIAMETER 106MM

**Part Number:**  
**825068**

**KMG**

**Title:**  
**G/A OF 3/4" (18MM) PVC  
STUB FLANGE ASSEMBLY**

**Drawn:**  
JPC

**App'd:**

**Scale:**  
1:2

**Material:**  
VARIOUS

**Rev:**

**Tol:**

**Date:**  
11/04/2008

**Dwg. Number:**  
SFA 18