

Part Number: 825070

Description : 1.25" PVC Stub Flange Assembly PN16

Note : The above is a complete Item

Item is 147mm long, excluding gaskets

Flange is 143mm in diameter

Sub Assemblies :

4 No. M16 x 70 bolts S/S

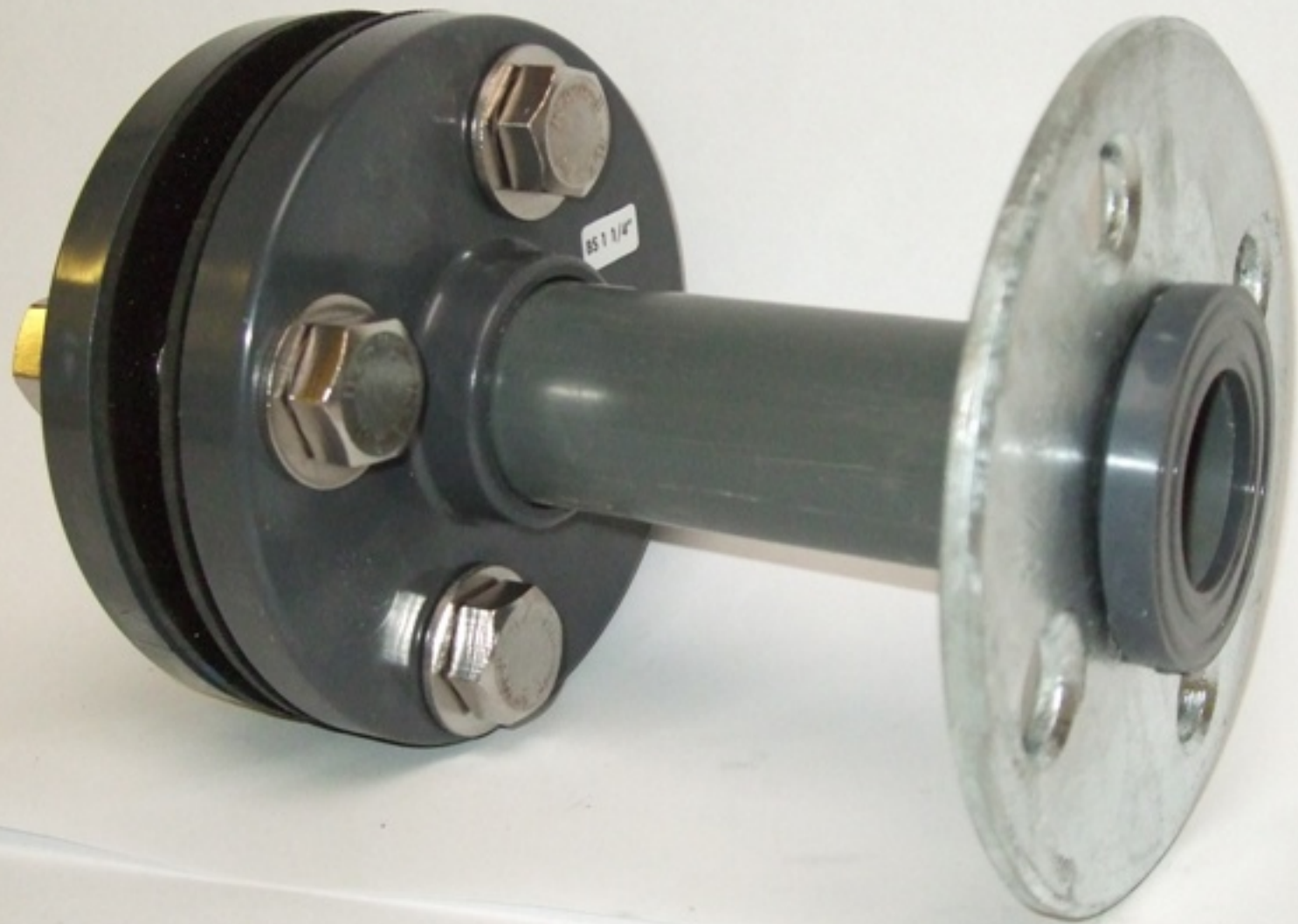
8 No. M16 Flat Washers S/S

4 No. M16 Plain Nut S/S

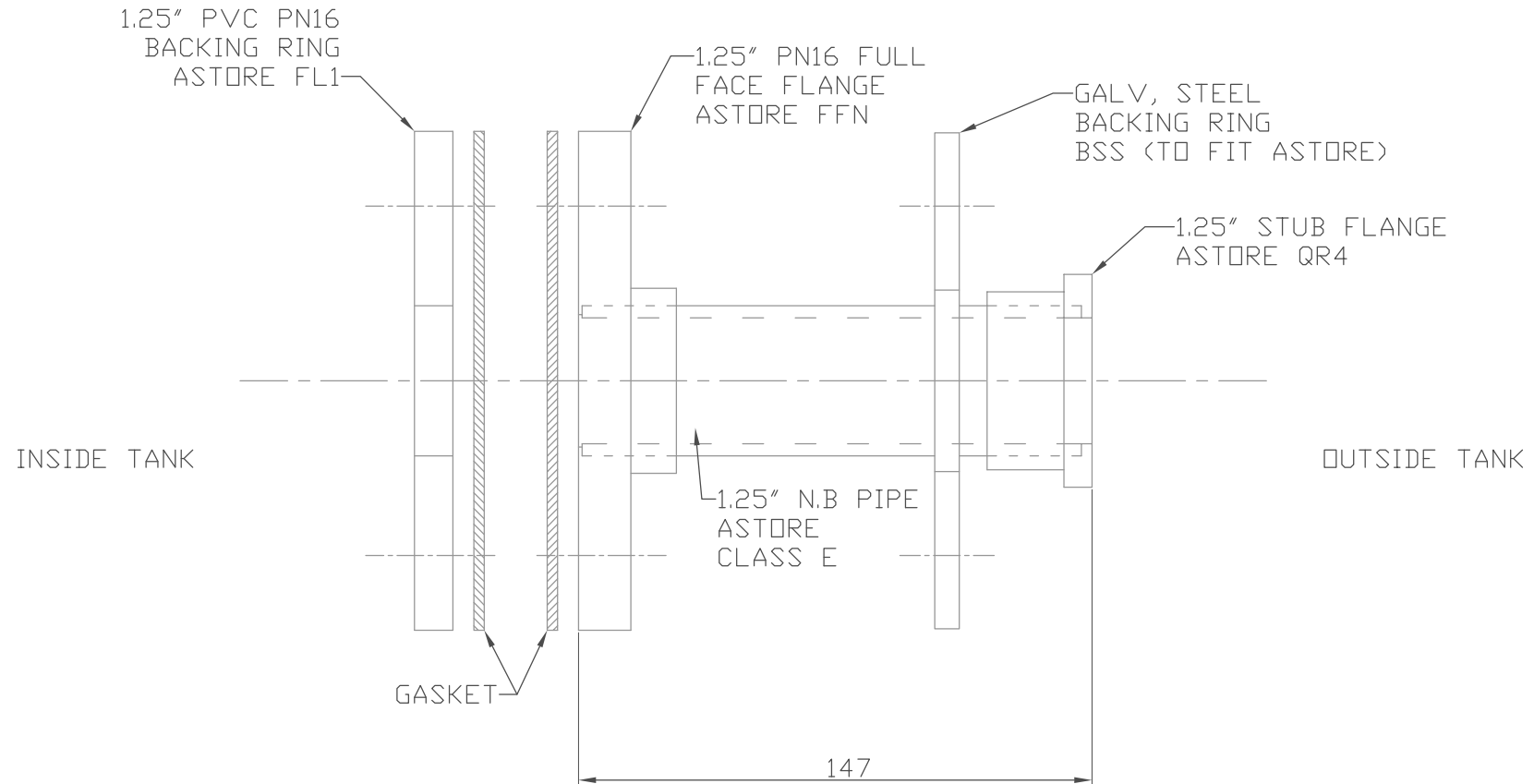
2 No. 1.25" PN16 Gasket

1 No. 1.25" PVC Backing Ring





PRODUCT SPECIFICATION



NOTE
GASKETS BY AVON GROUP
MANUFACTURING BRISTOL

NOTE
LENGTH 147MM
(EXC GASKETS)
FLANGE DIAMETER 143MM

Part Number: 825070		KMG		Title: G/A OF 1.25" (32MM) PVC STUB FLANGE ASSEMBLY	
Scale: 1:2		Material: VARIOUS		Drawn: JPC	
Rev:		Tol:		App'd:	
Date: 02/05/2008		Dwg. Number: SFA 32			