

Part Number: 825073

Description : 2.5" PVC Stub Flange Assembly PN16

Note : The above is a complete Item

Item is 152mm long, excluding gaskets

Flange is 185mm in diameter

Sub Assemblies :

4 No. M16 x 80 bolts S/S

8 No. M16 Flat Washers S/S

4 No. M16 Plain Nut S/S

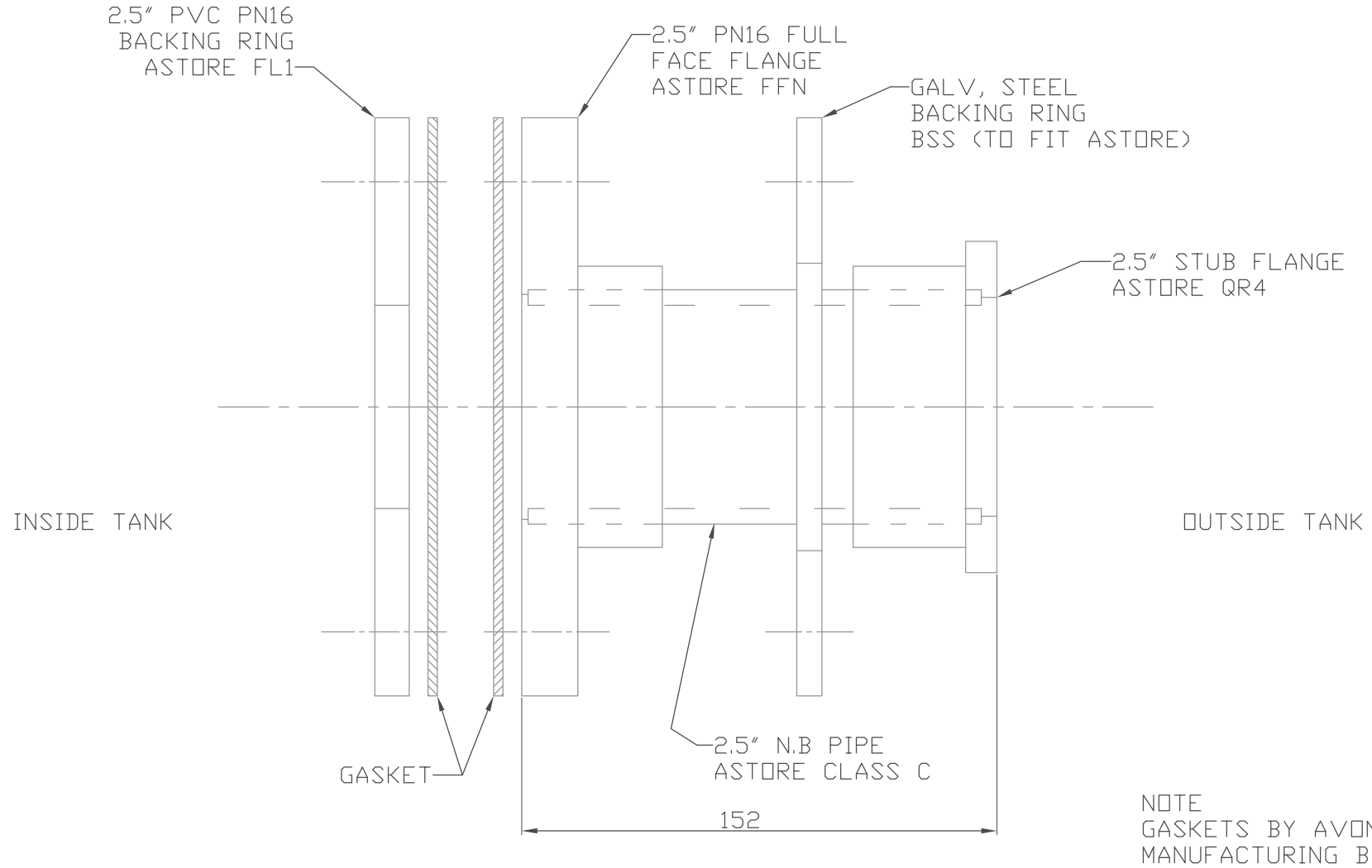
2 No. 2.5" PN16 Gasket

1 No. 2.5" PVC Backing Ring





PRODUCT SPECIFICATION



NOTE
LENGTH 152MM
(EXC GASKETS)
FLANGE DIAMETER 185MM

Part Number:
825073

KMG

Title:
**G/A OF 2.5" (64MM) PVC
STUB FLANGE ASSEMBLY**

Drawn:
JPC

App'd:

Scale:
1:2

Material:
VARIOUS

Rev:

Tol:

Date:
02/05/2008

Dwg. Number:
SFA 64