

**Part Number: 900002**

**Description : 1” Screened Overflow Assembly (Type 16)**

Note : The above is a Complete Item.

**Sub Assemblies :**

1 No. 1” PN16 Gasket

4 No. M12x50 Bolts Galv

8 No. M12 Flat Washer Galv

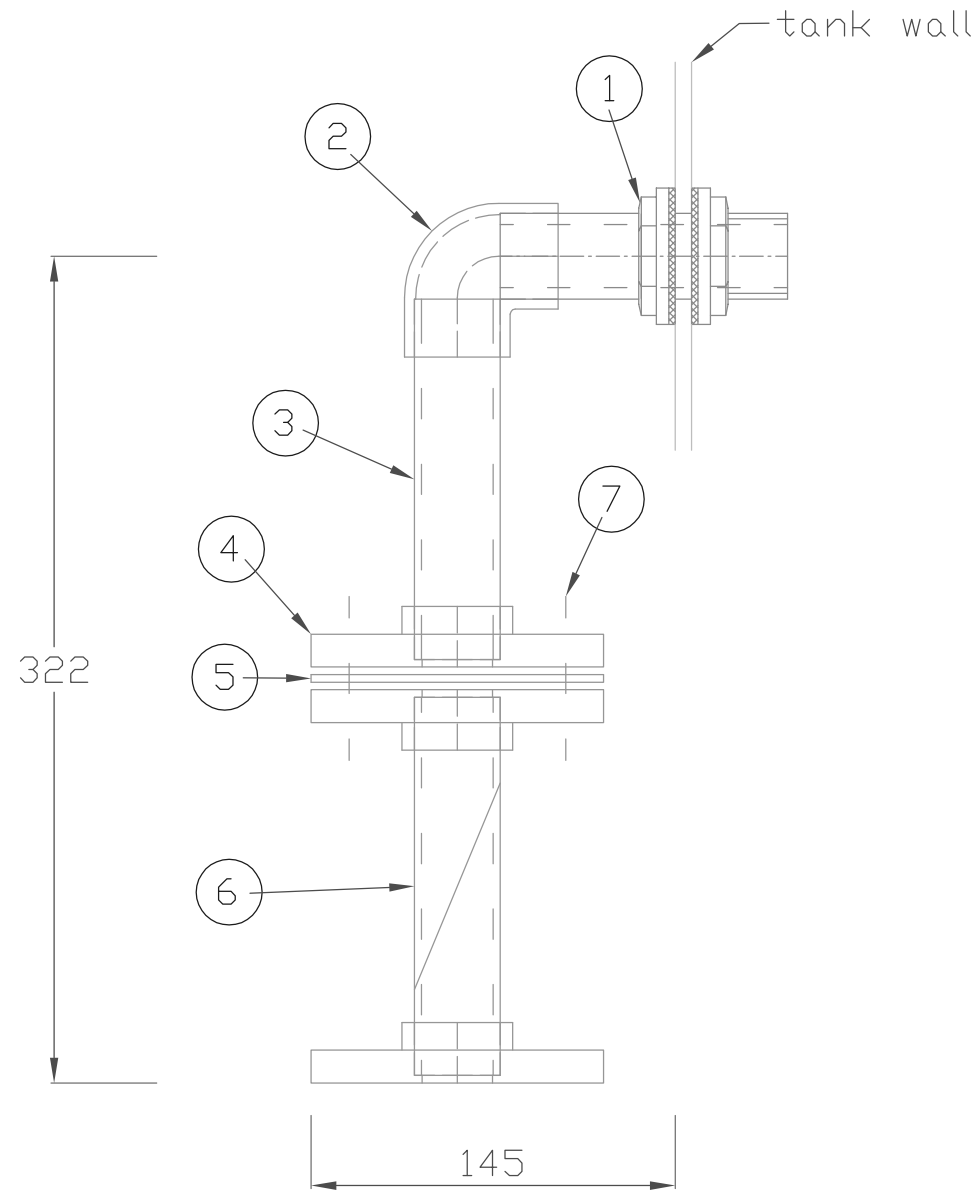
4 No. M12 Plain Nut Galv

Printed copies of this document are uncontrolled unless otherwise stated.





PRODUCT SPECIFICATION



parts list

- 1 - 1" tank connector
- 2 - 1" plain 90° elbow
- 3 - 1" pipe, 5 1/2" long
- 4 - 1" full face flange
- 5 - 1" gasket
- 6 - 1" intersect unit
- 7 - 4 No. (M12x50 bolt, 2xM12 washer, M12 nut, galv)

<p><u>Note:</u> Printed copies of this document are uncontrolled unless otherwise stated</p>	<p><u>Part Number:</u> 900002</p>				<p><u>Title:</u> G/A OF 1" SCREENED OVERFLOW ASSEMBLY TYPE 16</p>	
	<p><u>Scale:</u> 1:3</p>	<p><u>Material:</u> various</p>	<p><u>Rev:</u></p>	<p><u>Tol:</u></p>	<p><u>Drawn:</u> JPC</p>	<p><u>App'd:</u></p>
				<p><u>Date:</u> 28/04/2009</p>	<p><u>Dwg. Number:</u> 900002</p>	