

Part Number: 900005

Description : 2" Screened Overflow Assembly (Type 16)

Note : The above is a Complete Item.

Sub Assemblies :

1 No. 2" PN16 Gasket

4 No. M16x60 Bolts Galv

8 No. M16 Flat Washer Galv

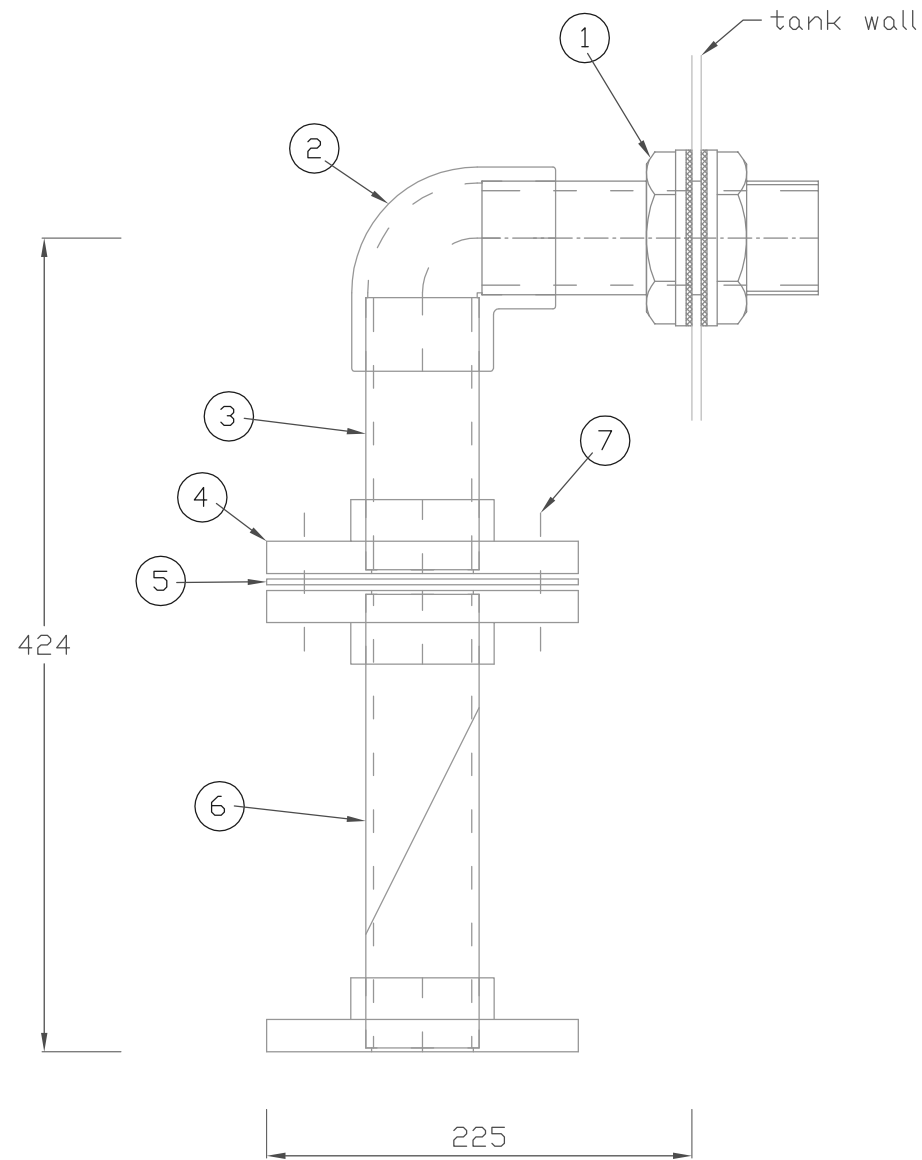
4 No. M16 Plain Nut Galv

Printed copies of this document are uncontrolled unless otherwise stated.





PRODUCT SPECIFICATION



parts list

- 1 - 2" tank connector
- 2 - 2" plain 90° elbow
- 3 - 2" pipe, 5 1/2" long
- 4 - 2" full face flange
- 5 - 2" gasket
- 6 - 2" intersect unit
- 7 - 4 No. (M16x60 bolt, 2xM16 washer, M16 nut, galv)

<p><u>Note:</u> Printed copies of this document are uncontrolled unless otherwise stated</p>	<p>Part Number: 900005</p>		<h1 style="margin: 0;">KMG</h1>		<p>Title: G/A OF 2" SCREENED OVERFLOW ASSEMBLY TYPE 16</p>	
	<p><u>Scale:</u> 1:4</p>	<p><u>Material:</u> various</p>	<p><u>Rev:</u></p>	<p><u>Tol:</u></p>	<p><u>Drawn:</u> JPC</p>	<p><u>App'd:</u></p>
		<p><u>Date:</u> 28/04/2009</p>			<p><u>Dwg. Number:</u> 900005</p>	