

Part Number: 900009

Description : 6" Screened Overflow Assembly (Type 16)

Note : The above is a Complete Item.

Sub Assemblies :

1 No. 6" PN16 PVC backing ring

3 No. 6" PN16 Gasket

8 No. M20x70 Bolts Galv

16 No. M20 Flat Washer Galv

8 No. M20 Plain Nut Galv

8 No. M20x110 Bolts S/S

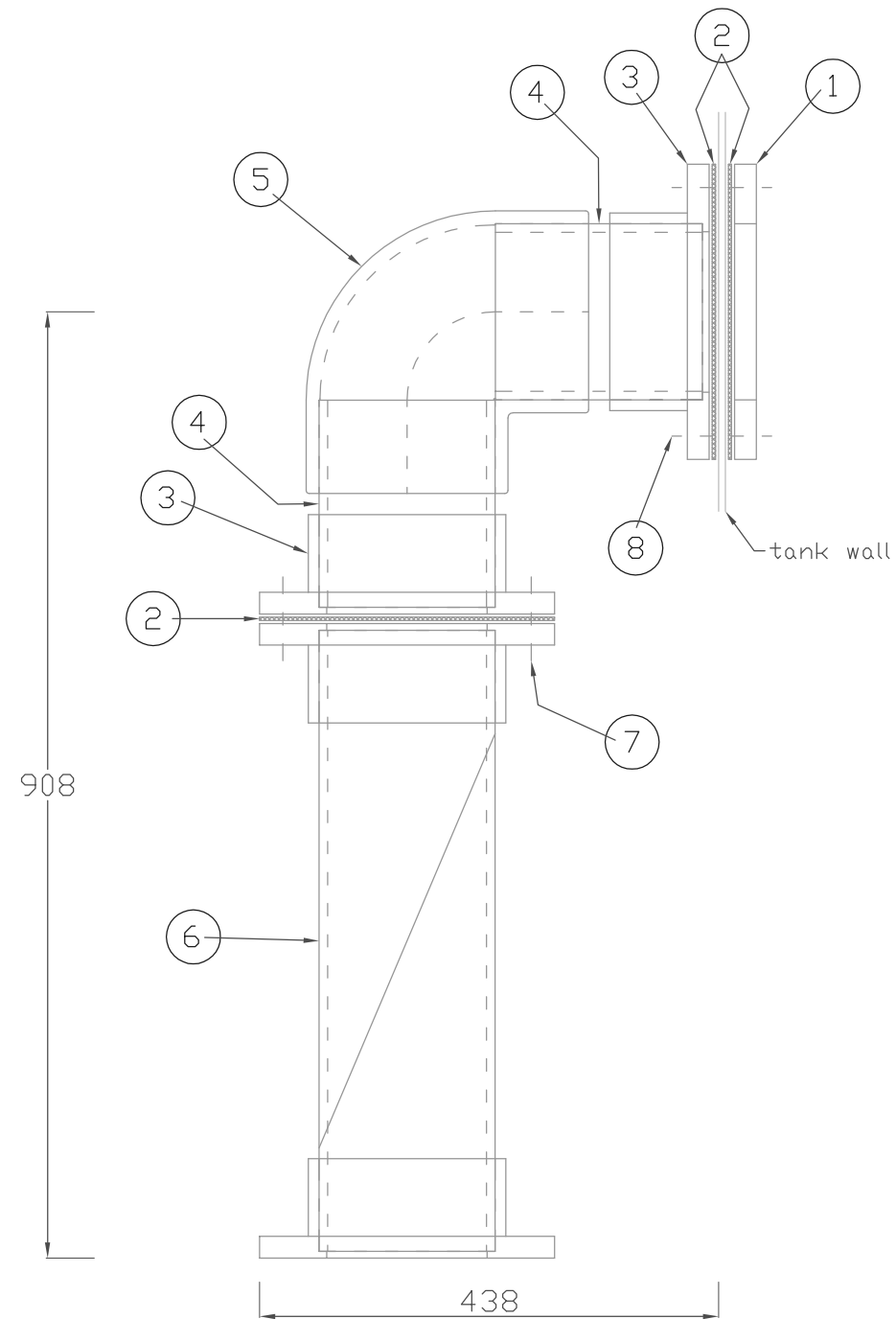
16 No. M20 Flat Washer S/S

8 No. M20 Plain Nut S/S





PRODUCT SPECIFICATION



parts list

- 1 - 6" pvc backing ring
- 2 - 6" gasket
- 3 - 6" full face flange
- 4 - 6" pipe 8" long
- 5 - 6" plain 90° elbow
- 6 - 6" intersect unit
- 7 - 8 No. (M20x70 bolt, 2xM20 washer, M20 nut, galv)
- 8 - 8 No. (M20x110 bolt, 2xM20 washer, M20 nut, S/S)

<p><u>Note:</u> Printed copies of this document are uncontrolled unless otherwise stated</p>	<p>Part Number: 900009</p>		<h1 style="margin: 0;">KMG</h1>		<p>Title: G/A OF 6" SCREENED OVERFLOW ASSEMBLY TYPE 16</p>	
	<p><u>Scale:</u> 1:7</p>	<p><u>Material:</u> various</p>	<p><u>Rev:</u></p>	<p><u>Tol:</u></p>	<p><u>Drawn:</u> JPC</p>	<p><u>App'd:</u></p>
				<p><u>Date:</u> 30/04/2009</p>	<p><u>Dwg. Number:</u> 900009</p>	