

**Part Number: 900010**

**Description : 8" Screened Overflow Assembly (Type 16)**

Note : The above is a Complete Item.

**Sub Assemblies :**

1 No. 8" PN16 PVC backing ring

3 No. 8" PN16 Gasket

12 No. M20x70 Bolts Galv

24 No. M20 Flat Washer Galv

12 No. M20 Plain Nut Galv

12 No. M20x80 Bolts S/S

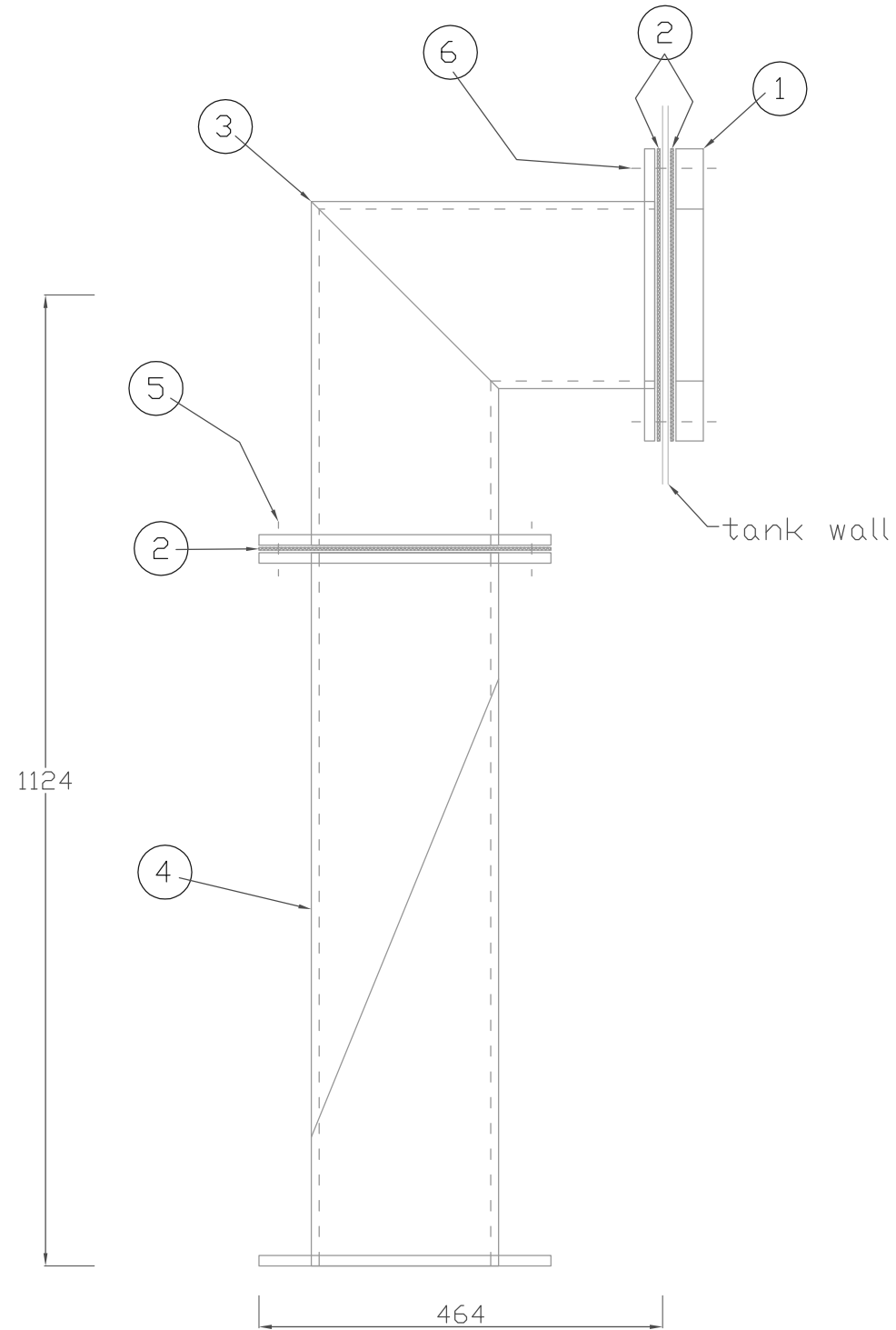
24 No. M20 Flat Washer S/S

12 No. M20 Plain Nut S/S





# PRODUCT SPECIFICATION



parts list

- 1 - 8" pvc backing ring
- 2 - 8" gasket
- 3 - 8" fabricated 90° elbow
- 4 - 8" intersect unit
- 5 - 12 No. ( M20x70 bolt, 2xM20 washer, M20 nut, galv )
- 6 - 12 No. ( M20x80 bolt, 2xM20 washer, M20 nut, S/S )

<p><u>Note:</u> Printed copies of this document are uncontrolled unless otherwise stated</p>	<p><b>Part Number:</b> 900010</p>		<h1 style="margin: 0;">KMG</h1>		<p><b>Title:</b> G/A OF 8" SCREENED OVERFLOW ASSEMBLY TYPE 16</p>	
	<p><u>Scale:</u> 1:8</p>	<p><u>Material:</u> various</p>	<p><u>Rev:</u></p>	<p><u>Tol:</u></p>	<p><u>Drawn:</u> JPC</p>	<p><u>App'd:</u></p>
		<p><u>Date:</u> 30/04/2009</p>	<p><u>Dwg. Number:</u> 900010</p>			