

**Part Number: 900011**

**Description : 1” Internal Elbow for Overflow Assembly (Type 16)**

Note : The above is a Complete Item.

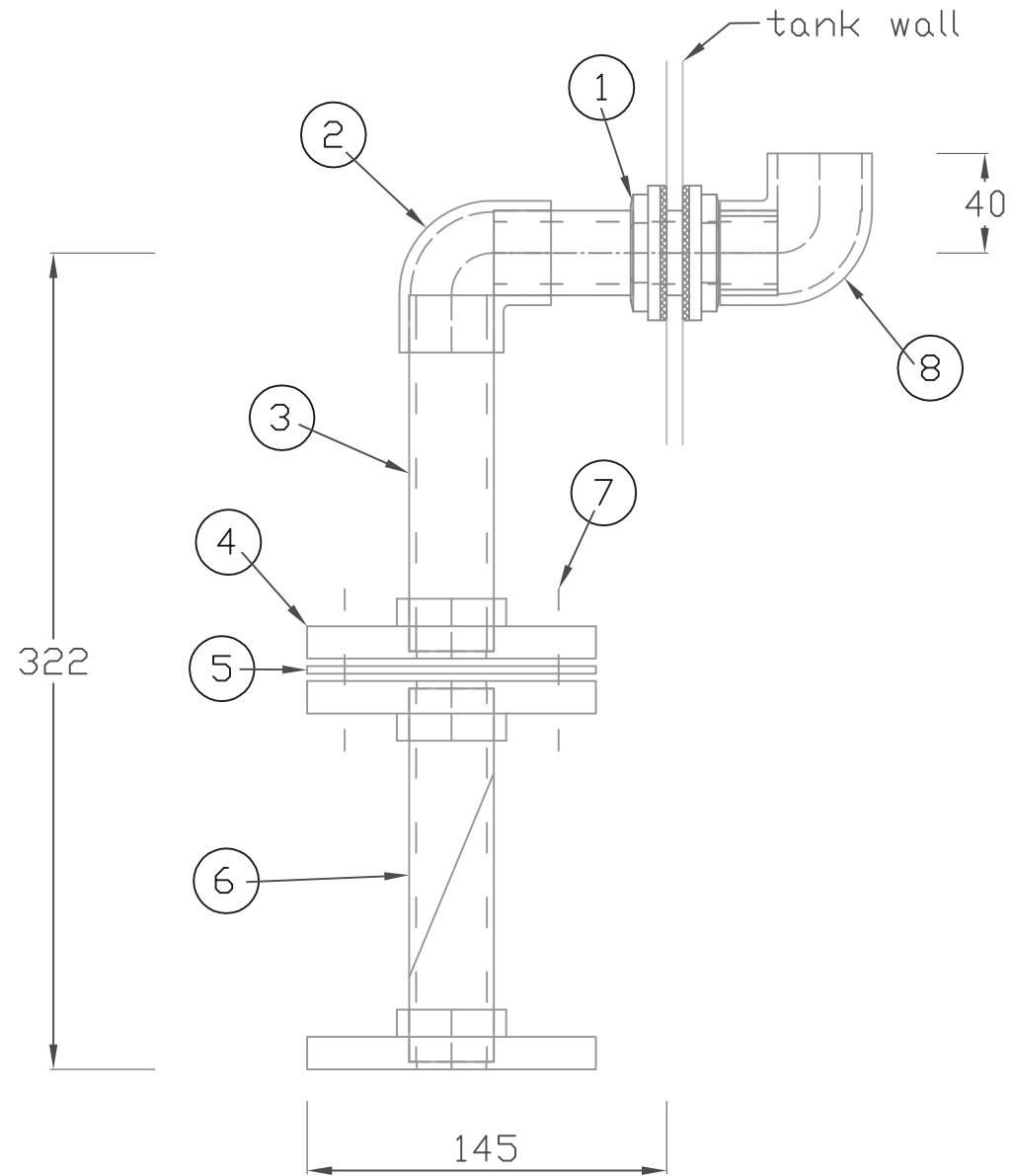
Sub Assemblies: N/A

Printed copies of this document are uncontrolled unless otherwise stated.





PRODUCT SPECIFICATION



parts list

900002

- 1 - 1" tank connector
- 2 - 1" plain 90° elbow
- 3 - 1" pipe, 5 1/2" long
- 4 - 1" full face flange
- 5 - 1" gasket
- 6 - 1" intersect unit
- 7 - 4 No. (M12x50 bolt, 2xM12 washer, M12 nut, galv)

900011 ( single item )

8 - 1" threaded 90° elbow

<p><u>Note:</u> Printed copies of this document are uncontrolled unless otherwise stated</p>	<p><u>Part Number:</u> 900011</p>		<p><b>KMG</b></p>		<p><u>Title:</u> G/A OF 1" INTERNAL ELBOW FOR OVERFLOW ASSEMBLY TYPE 16</p>	
	<p><u>Scale:</u> 1:3</p>	<p><u>Material:</u> various</p>	<p><u>Rev:</u></p>	<p><u>Tol:</u></p>	<p><u>Drawn:</u> JPC</p>	<p><u>App'd:</u></p>
				<p><u>Date:</u> 28/04/2009</p>	<p><u>Dwg. Number:</u> 900011</p>	