

**Part Number: 900014**

**Description : 2” Internal Elbow for Overflow Assembly (Type 16)**

Note : The above is a Complete Item.

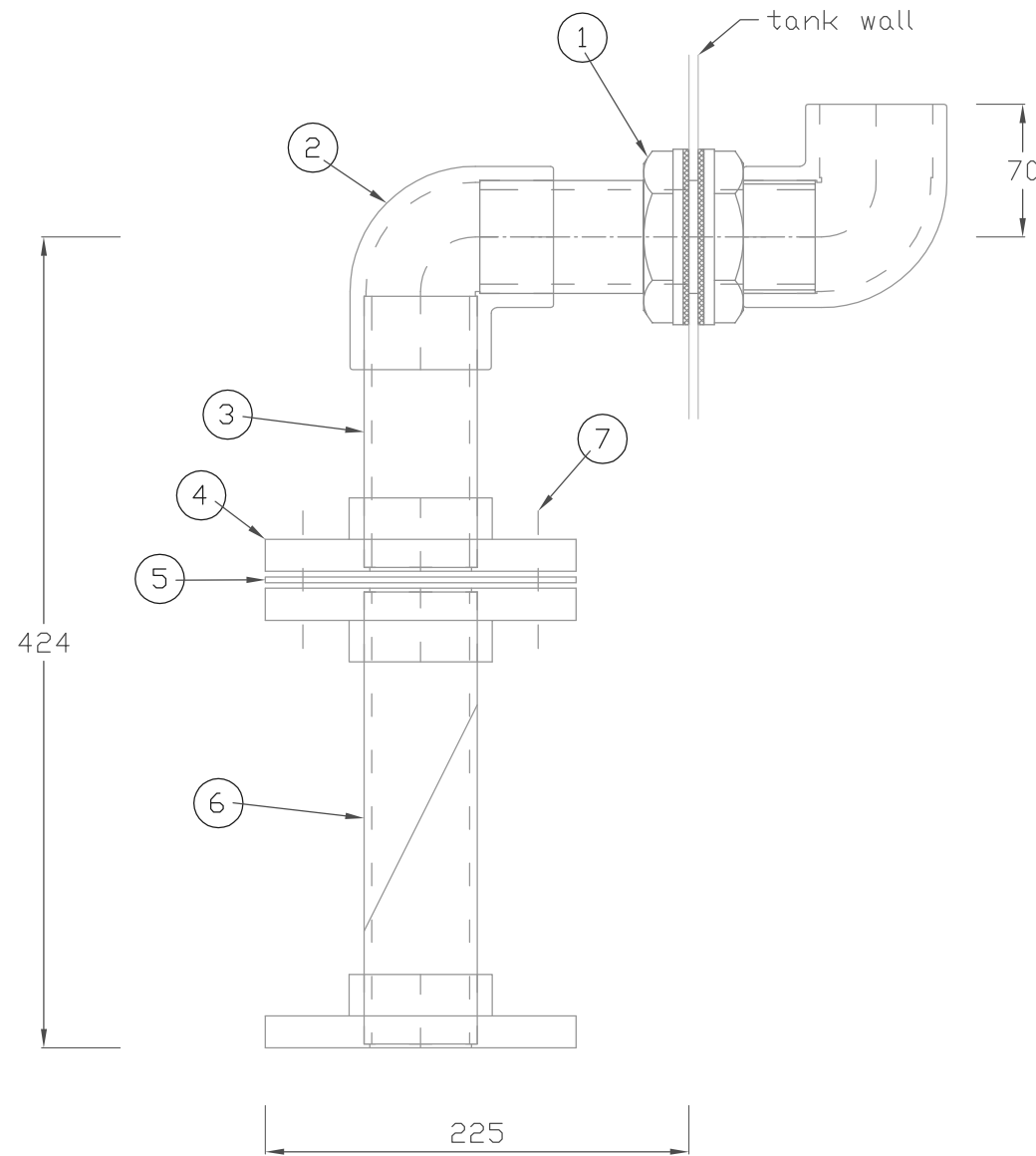
Sub Assemblies: N/A

Printed copies of this document are uncontrolled unless otherwise stated.





# PRODUCT SPECIFICATION



parts list

- 900005  
 1 - 2" tank connector  
 2 - 2" plain 90° elbow  
 3 - 2" pipe, 5 1/2" long  
 4 - 2" full face flange  
 5 - 2" gasket  
 6 - 2" intersect unit  
 7 - 4 No. (M16x60 bolt, 2xM16 washer, M16 nut, galv)

- 900014 ( single item )  
 8 - 2" threaded 90° elbow

|  |                                       |                                     |                                       |                    |   |                      |
|--|---------------------------------------|-------------------------------------|---------------------------------------|--------------------|---|----------------------|
| <p><u>Note:</u><br/>Printed copies of this document are uncontrolled unless otherwise stated</p> | <p><b>Part Number:</b><br/>900014</p> |                                     | <h1 style="margin: 0;">KMG</h1>       |                    | <p><b>Title:</b><br/>G/A OF 2" INTERNAL ELBOW FOR OVERFLOW ASSEMBLY TYPE 16</p> |                      |
|  | <p><u>Scale:</u><br/>1:4</p>          | <p><u>Material:</u><br/>various</p> | <p><u>Rev:</u></p>                    | <p><u>Tol:</u></p> | <p><u>Drawn:</u><br/>JPC</p>  | <p><u>App'd:</u></p> |
|  |                                       | <p><u>Date:</u><br/>28/04/2009</p>  | <p><u>Dwg. Number:</u><br/>900014</p> |                    |   |                      |