

**Part Number: 900016**

**Description : 3" Internal Elbow for Overflow Assembly (Type 16)**

Note : The above is a Complete Item.

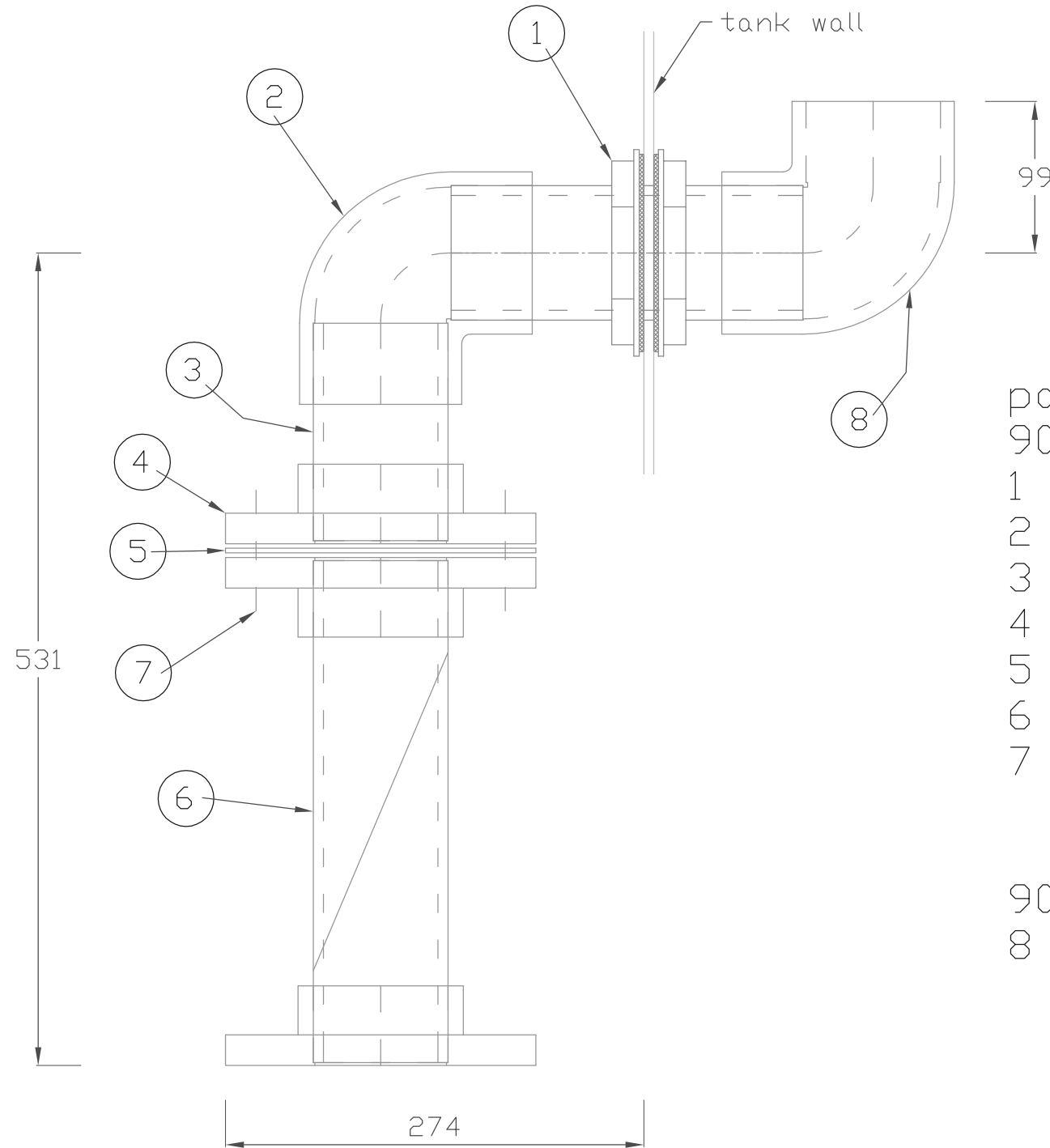
Sub Assemblies: N/A

Printed copies of this document are uncontrolled unless otherwise stated.





# PRODUCT SPECIFICATION



parts list  
900007

- 1 - 3" tank connector
- 2 - 3" plain 90° elbow
- 3 - 3" pipe, 5 1/2" long
- 4 - 3" full face flange
- 5 - 3" gasket
- 6 - 3" intersect unit
- 7 - 8 No. (M16x70 bolt, 2xM16 washer, M16 nut, galv)

900016 ( single item )

- 8 - 3" threaded 90° elbow

Note:  
Printed copies of this document are uncontrolled unless otherwise stated

<b>Part Number:</b> 900016		<b>KMG</b>		<b>Title:</b> G/A OF 3" INTERNAL ELBOW FOR OVERFLOW ASSEMBLY TYPE 16	
				<b>Drawn:</b> JPC	<b>App'd:</b>
<b>Scale:</b> 1:4	<b>Material:</b> various	<b>Rev:</b>	<b>Tol:</b>	<b>Date:</b> 28/04/2009	<b>Dwg. Number:</b> 900016