

**Part Number: 900017**

**Description : 4' Internal Elbow for Overflow Assembly (Type 16)**

Note : The above is a Complete Item.

Sub Assemblies: N/A

Printed copies of this document are uncontrolled unless otherwise stated.



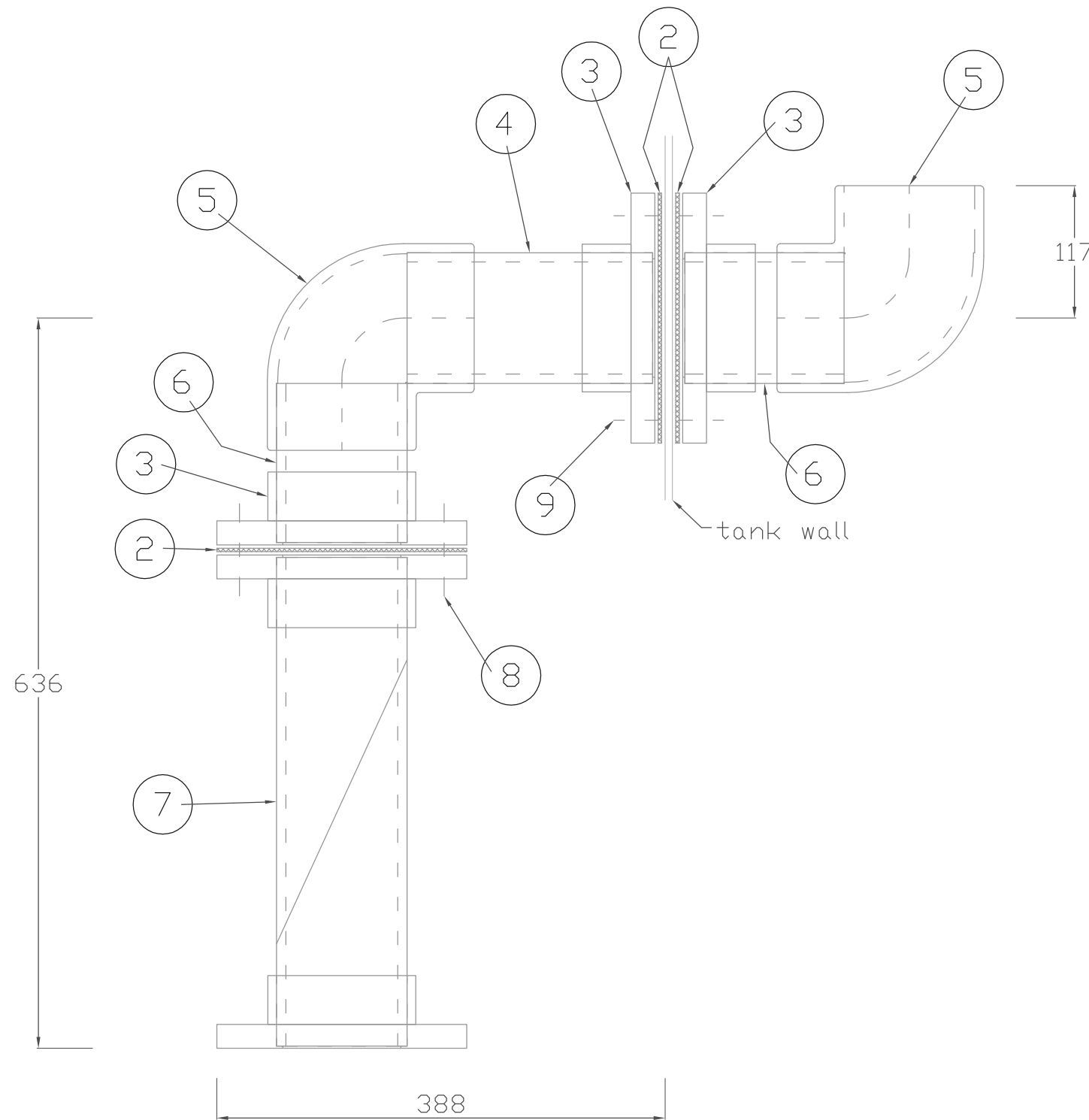


A SB

16 251

A SB


**PRODUCT SPECIFICATION**



parts list  
900008

- 1 - 4" pvc backing ring  
(not used with internal elbow)
- 2 - 4" gasket
- 3 - 4" full face flange
- 4 - 4" pipe 8.5" long
- 5 - 4" plain 90° elbow
- 6 - 4" pipe 5.5" long
- 7 - 4" intersect unit
- 8 - 8 No. (M16x70 bolt, 2xM16 washer, M16 nut, galv)
- 9 - 8 No. (M16x90 bolt, 2xM16 washer, M16 nut, S/S)

- 900017 ( three items )
- 3 - 4" full face flange
  - 5 - 4" plain 90° elbow
  - 6 - 4" pipe 5.5" long

<p><u>Note:</u> Printed copies of this document are uncontrolled unless otherwise stated</p>	<p><b>Part Number:</b> 900017</p>				<p><b>Title:</b> G/A OF 4" INTERNAL ELBOW FOR OVERFLOW ASSEMBLY TYPE 16</p>	
	<p><u>Scale:</u> 1:5</p>	<p><u>Material:</u> various</p>	<p><u>Rev:</u></p>	<p><u>Tol:</u></p>	<p><u>Drawn:</u> JPC</p>	<p><u>App'd:</u></p>
		<p><u>Date:</u> 29/04/2009</p>			<p><u>Dwg. Number:</u> 900017</p>	