

**Part Number: 900018**

**Description : 6' Internal Elbow for Overflow Assembly (Type 16)**

Note : The above is a Complete Item.

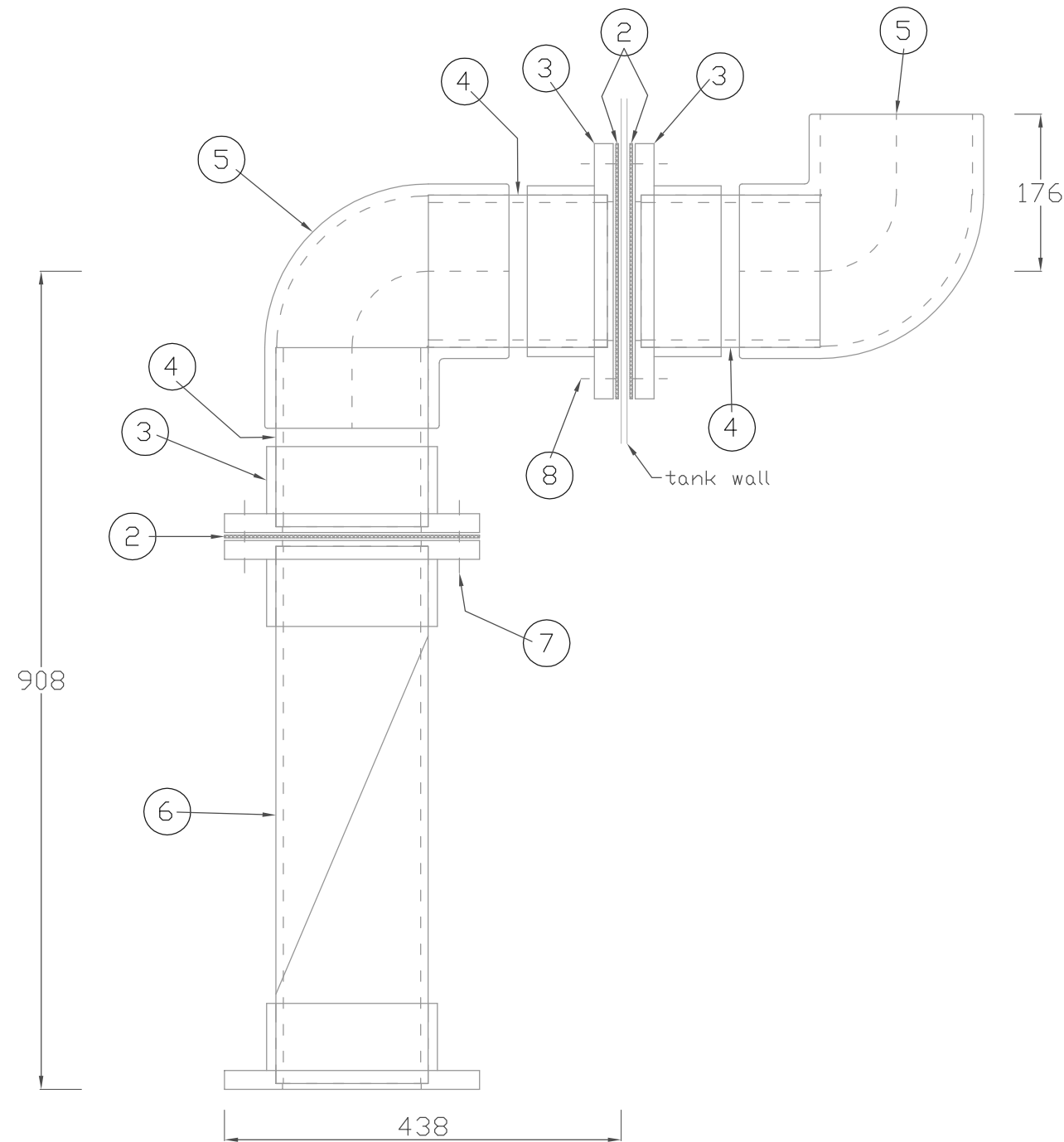
Sub Assemblies: N/A

Printed copies of this document are uncontrolled unless otherwise stated.





# PRODUCT SPECIFICATION



parts list

900009

1 - 6" pvc backing ring  
( not used with internal elbow )

2 - 6" gasket

3 - 6" full face flange

4 - 6" pipe 8" long

5 - 6" plain 90° elbow

6 - 6" intersect unit

7 - 8 No. (M20x70 bolt, 2xM20  
washer, M20 nut, galv)

8 - 8 No. (M20x110 bolt, 2xM20  
washer, M20 nut, S/S)

900018 ( three items )

3 - 6" full face flange

4 - 6" pipe 8" long

5 - 6" plain 90° elbow

Note:  
Printed copies of this  
document are uncontrolled  
unless otherwise stated

Part Number:  
**900018**

KMG

Title:  
**G/A OF 6" INTERNAL ELBOW FOR  
OVERFLOW ASSEMBLY TYPE 16**

Drawn:  
JPC

App'd:

Scale:  
1:7

Material:  
various

Rev:

Tol:

Date:  
30/04/2009

Dwg. Number:  
900018