

Part Number: 900020

Description : 3/4" Internal Elbow for Overflow Assembly (Type 16)

Note : The above is a Complete Item.

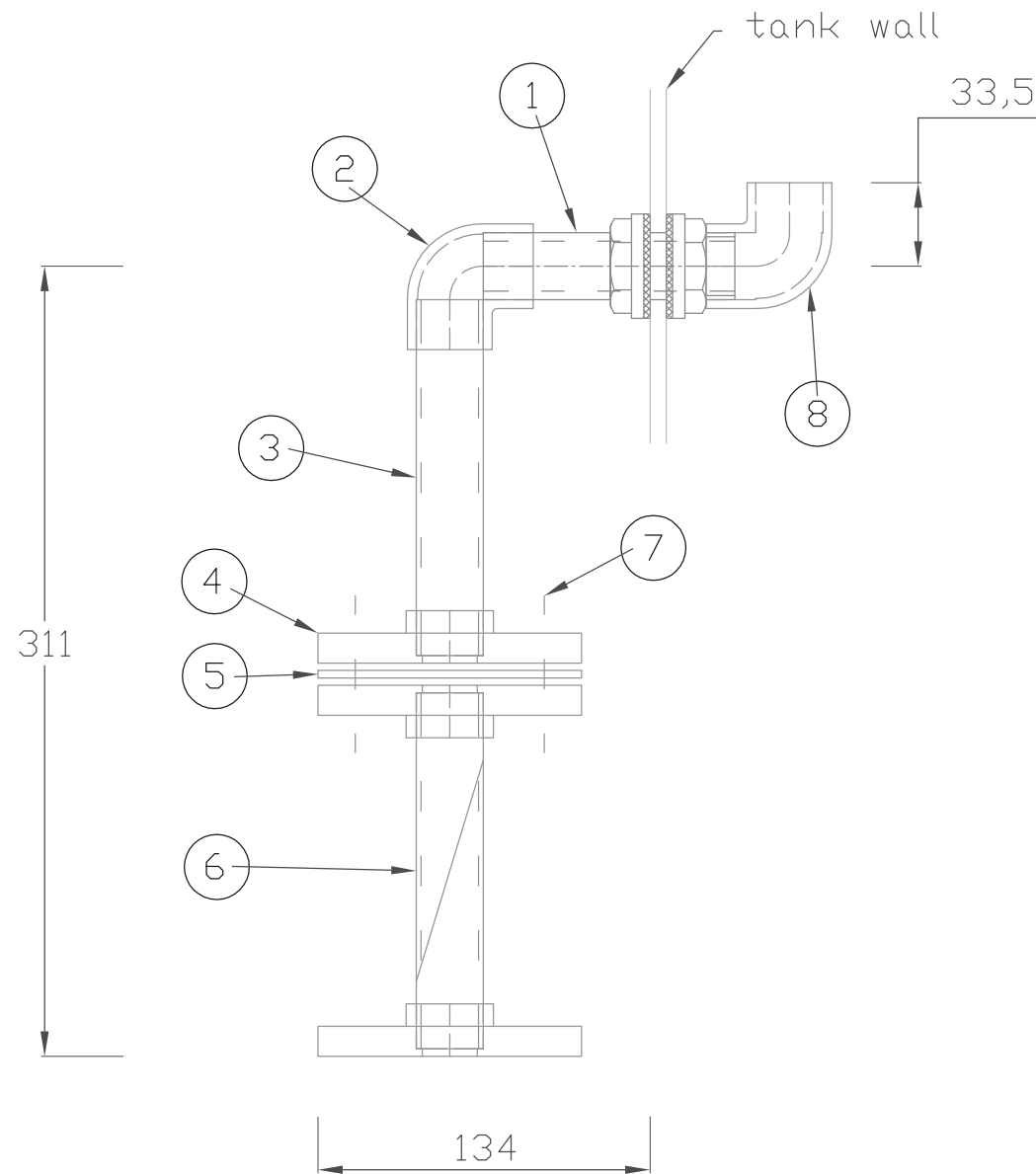
Sub Assemblies: N/A

Printed copies of this document are uncontrolled unless otherwise stated.





PRODUCT SPECIFICATION



parts list

900001

- 1 - 3/4" tank connector
- 2 - 3/4" plain 90° elbow
- 3 - 3/4" pipe, 5 1/2" long
- 4 - 3/4" full face flange
- 5 - 3/4" gasket
- 6 - 3/4" intersect unit
- 7 - 4 No. (M12x50 bolt, 2xM12 washer, M12 nut, galv)

900020

- 8 - 3/4" threaded 90° elbow

Part Number: 900020		KMG		Title: G/A OF 3/4" INTERNAL ELBOW FOR OVERFLOW ASSEMBLY TYPE 16	
				Drawn: JPC	App'd:
Scale: 1:3	Material: various	Rev:	Tol:	Date: 27/04/2009	Dwg. Number: 900020