

Part Number: 900133

Description : 1.25" PVC Flanged Tank Connector (male) PN16

Note : The above is a complete Item

Item is 76mm long, excluding gaskets

Flange is 143mm in diameter

Sub Assemblies :

4 No. M16 x 70 bolts S/S

8 No. M16 Flat Washers S/S

4 No. M16 Plain Nut S/S

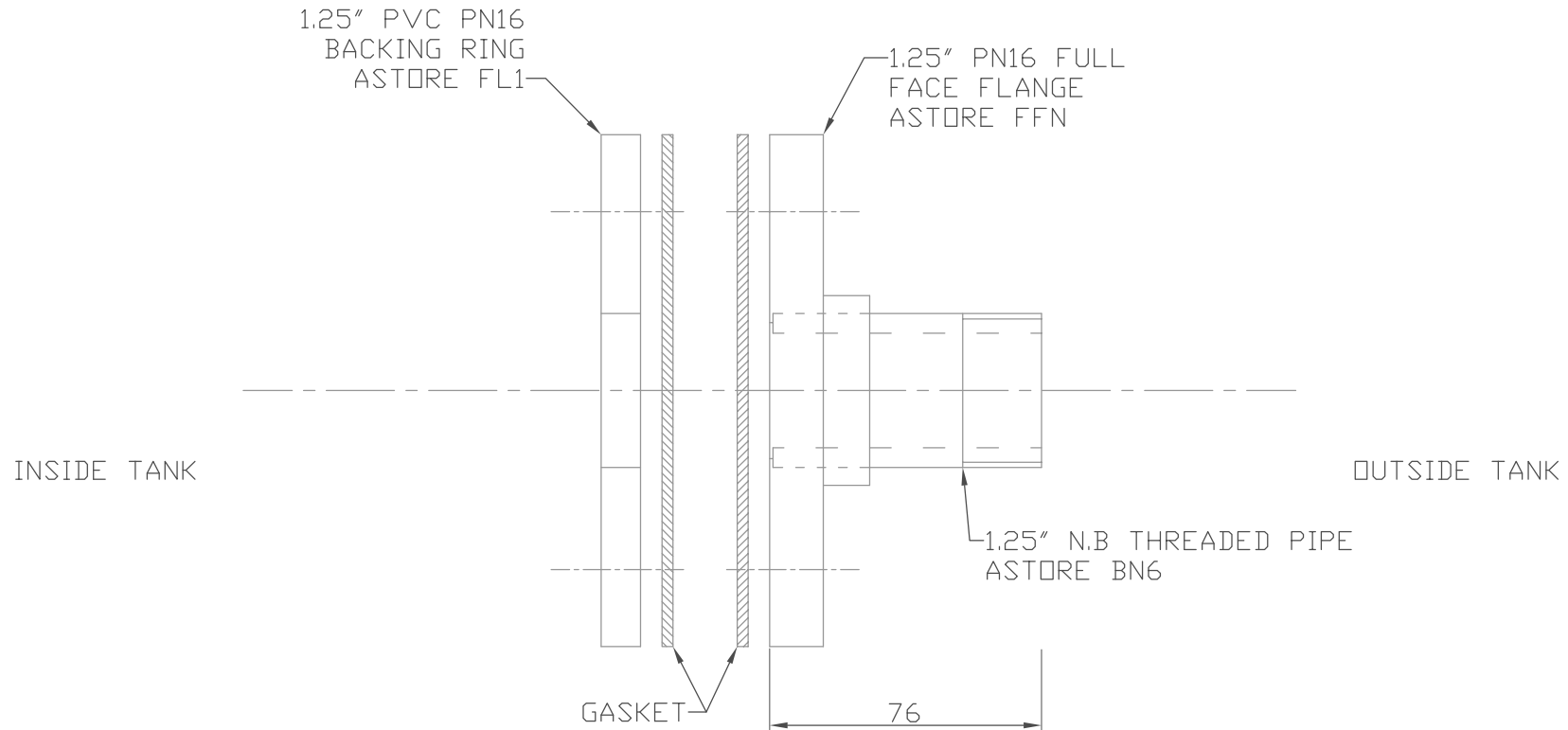
2 No. 1.25" PN16 Gasket

1 No. 1.25" PVC Backing Ring





PRODUCT SPECIFICATION



NOTE
GASKETS BY AVON GROUP
MANUFACTURING BRISTOL

NOTE
LENGTH 76MM
(EXC GASKETS)
FLANGE DIAMETER 143MM

<u>Part Number:</u>		KMG		<u>Title:</u> G/A OF 1.25" (32MM) FLANGED TANK CONNECTOR MALE	
<u>Scale:</u> 1:2		<u>Material:</u> VARIOUS		<u>Drawn:</u> JPC	
<u>Rev:</u>		<u>Tol:</u>		<u>App'd:</u>	
<u>Date:</u> 02/05/2008		<u>Dwg. Number:</u> FTCM 32			