

**Part Number: 900134**

**Description : 1.5" PVC Flanged Tank Connector (male) PN16**

**Note : The above is a complete Item**

Item is 89mm long, excluding gaskets

Flange is 152mm in diameter

**Sub Assemblies :**

4 No. M16 x 70 bolts S/S

8 No. M16 Flat Washers S/S

4 No. M16 Plain Nut S/S

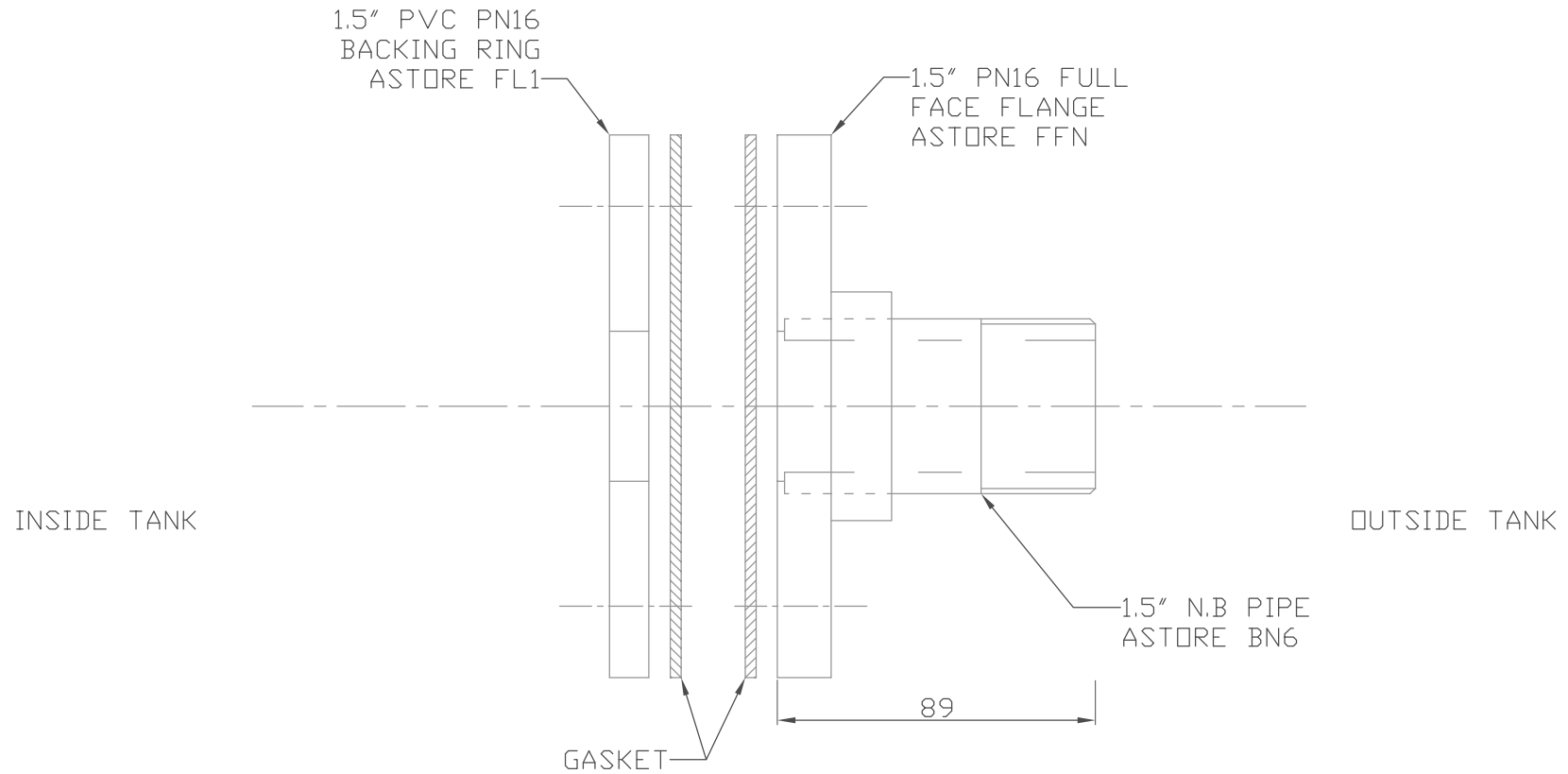
2 No. 1.5" PN16 Gasket

1 No. 1.5" PVC Backing Ring





# PRODUCT SPECIFICATION



NOTE  
GASKETS BY AVON GROUP  
MANUFACTURING BRISTOL

NOTE  
LENGTH 89MM  
(EXC GASKETS)  
FLANGE DIAMETER 152MM

|                               |  |                                |  |  |  |
|-------------------------------|--|--------------------------------|--|--|--|
| <b>Part Number:</b><br>900134 |  | <b>KMG</b>                     |  | <b>Title:</b><br>G/A OF 1.5" (38MM) FLANGED TANK<br>CONNECTOR MALE |  |
| <b>Scale:</b><br>1:2          |  | <b>Material:</b><br>VARIOUS    |  | <b>Drawn:</b><br>JPC   |  |
| <b>Rev:</b>                   |  | <b>Tol:</b>                    |  | <b>App'd:</b>  |  |
| <b>Date:</b><br>15/05/2008    |  | <b>Dwg. Number:</b><br>FTCM 38 |  |  |  |